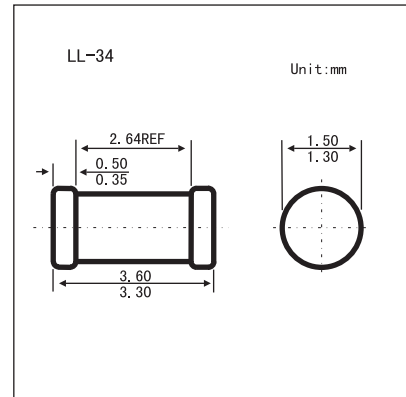


# RLZ Series

■ Features

- Small surface mounting type.
- High reliability.



■ Absolute Maximum Ratings (Ta = 25°C)

Parameter	Symbol	Rating	Unit
Power dissipation	P	500	mW
Junction temperature	T <sub>j</sub>	175	°C
Storage temperature	T <sub>stg</sub>	-65 to +175	°C

■ Electrical Characteristics (Ta = 25°C)

Type	Zener voltage Vz (V)			Operating resistance Zz (Ω)		Rising operating resistance Zzk (Ω)		Reverse current IR (μA)	
	Min.	Max.	Iz (mA)	Max.	Iz (mA)	Max.	Iz (mA)	Max.	VR (V)
RLZ3.6B	3.600	3.845	20	60	20	1000	1	10	1.0
RLZ3.9B	3.89	4.16	20	50	20	1000	1	5	1.0
RLZ4.3B	4.17	4.43	20	40	20	1000	1	5	1.0
RLZ4.7B	4.55	4.80	20	25	20	900	1	5	1.0
RLZ5.1B	4.94	5.20	20	20	20	800	1	5	1.5
RLZ5.6B	5.45	5.73	20	13	20	500	1	5	2.5
RLZ6.2B	5.96	6.27	20	10	20	300	1	5	3.0
RLZ6.8B	6.49	6.83	20	8	20	150	0.5	2	3.5
RLZ7.5B	7.07	7.45	20	8	20	120	0.5	0.5	4.0
RLZ8.2B	7.78	8.19	20	8	20	120	0.5	0.5	5.0
RLZ9.1B	8.57	9.01	20	8	20	120	0.5	0.5	6.0
RLZ10B	9.41	9.90	20	8	20	120	0.5	0.2	7.0
RLZ11B	10.50	11.05	10	10	10	120	0.5	0.2	8.0
RLZ12B	11.44	12.03	10	12	10	110	0.5	0.2	9.0

## RLZ Series

■ Electrical Characteristics (Ta = 25°C)

Type	Zener voltage Vz (V)			Operating resistance Zz (Ω)		Rising operating resistance Zzk (Ω)		Reverse current IR (μA)	
	Min.	Max.	Iz (mA)	Max.	Iz (mA)	Max.	Iz (mA)	Max.	VR (V)
RLZ13B	12.55	13.21	10	14	10	110	0.5	0.2	10
RLZ15B	13.89	14.62	10	16	10	110	0.5	0.2	11
RLZ16B	15.25	16.04	10	18	10	150	0.5	0.2	12
RLZ18B	16.82	17.70	10	23	10	150	0.5	0.2	13
RLZ20B	18.63	19.59	10	28	10	200	0.5	0.2	15
RLZ22B	20.64	21.71	5	30	5	200	0.5	0.2	17
RLZ24B	22.61	23.77	5	35	5	200	0.5	0.2	19
RLZ27B	24.97	26.26	5	45	5	250	0.5	0.2	21
RLZ30B	27.70	29.13	5	55	5	250	0.5	0.2	23
RLZ33B	30.32	31.88	5	65	5	250	0.5	0.2	25
RLZ36B	32.79	34.49	5	75	5	250	0.5	0.2	27
RLZ39B	35.36	37.19	5	85	5	250	0.5	0.2	30

\* The zener voltage is measured 40ms after power is supplied.